

TECHNICAL DATA SHEET

RADIAL FAN nr. AFGG-40_02



G&G filtration CZ, s.r.o.

A Hrubínova 1903/9, 66451 Šlapanice, CZ
 IČ 05226953 IČ DPH CZ05226953
 E info@ggf.cz W www.ggf.cz

ITEM1

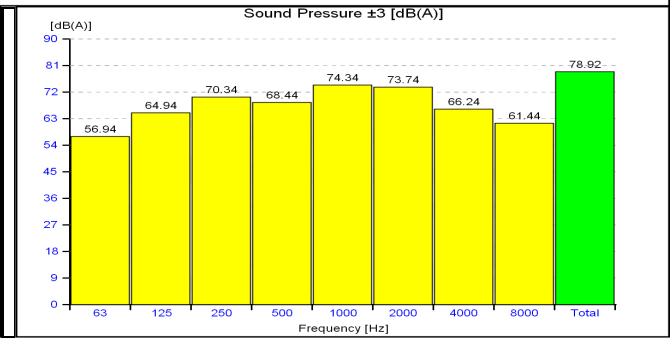
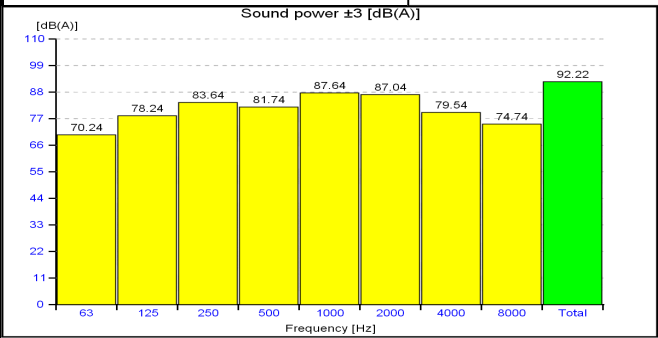
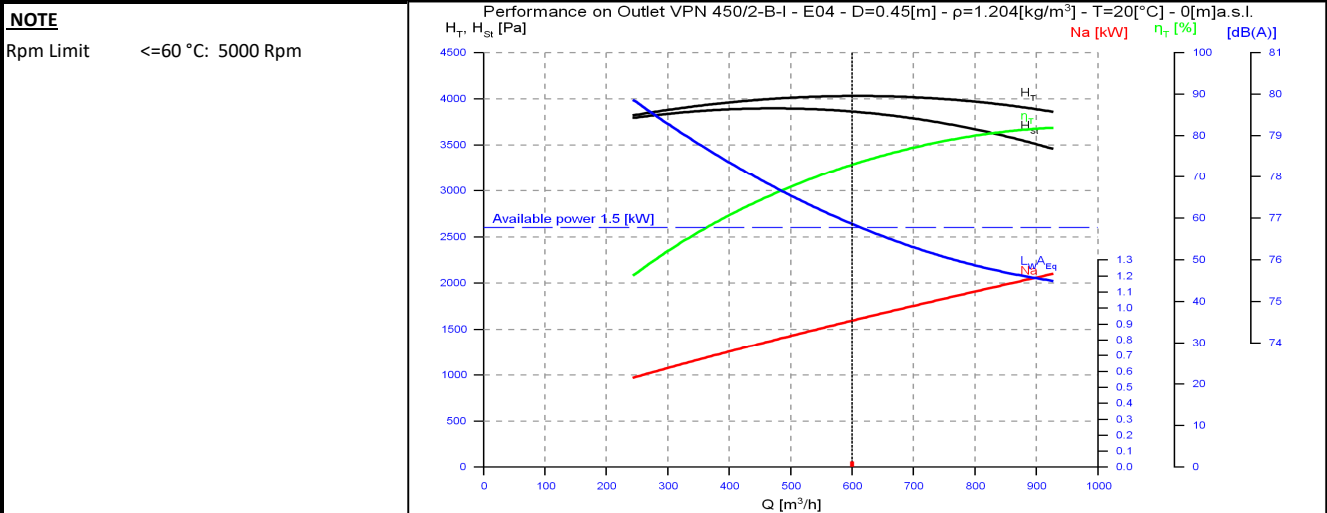
Document printed by Aeraulica - Dimensions and performances can be changed without prior notice

Type and characteristics of the requested machine		performance on		Outlet
Flow rate	600 [m3/h]	Capacity (Normal)		559 [Nm3/h]
Total pressure	4000 [Pa]	Static pressure		
Working fluid temperature	20 [°C]	Fluid specific weight		1.204 [Kg/m3]
Installation altitude	0 asl [m]	Specific weight std (20 [°C], 0 asl [m])		1.204 [Kg/m3]

Suggested model and effective characteristics				performance on		Outlet
Model	VPN 450/2-B-I	Execution	E04	Installation Type	A (free inlet and outlet)	
Fluid specific weight	1.204	1.204 [Kg/m3]		Revolution fan speed		2920 [rpm]
Total pressure	4030	4030 [Pa]		Orientation		RD 0
Static pressure	3861	3861 [Pa]		Sound power LwA		92.22 [dB(A)]
Flow rate	600	600 [m3/h]		Sound pressure at mt.1.5 1/2 sf in open field		78.92 [dB(A)]
Capacity (Normal)	559	559 [Nm3/h]		Pipings	s>3mm = +3dB; 1mm<s<3mm = +4,5dB; s<1mm = +6dB	
Power dem. at shaft	0.921	0.921 [kW]		Fan efficiency	Outlet	72.95 %
Motor power demand	0.921	0.921 [kW]				

Characteristics of chosen motor				Motor efficiency IEC 60034-30			PD ² impeller	
Code	090S02-50/std3	shape	B3	IE3			0.9	kgm ²
Rated power	1.5 [kW]	n° poles	2	rpm	2910	Efficiency	84.2	84.6
						Load	100%	75%
							50%	50%
							PD ² needed	0.91
							PD ² motor	1.7

ErP 2009/125/CE Regulament (UE) N. 327/2011		Notes	
Efficiency grade	64	N	78.1
Impeller type	backward blades	Type of test	B/total
		Flow rate	928.4 [m3/h]
		Pressure	3452 [Pa]
		Total efficiency	69.27 %



values of the noise of fan obtained in ambient not reverberant with inlet and outlet ducts fully insulated

TECHNICAL DATA SHEET

RADIAL FAN nr. AFGG-40_02



G&G filtration CZ, s.r.o.

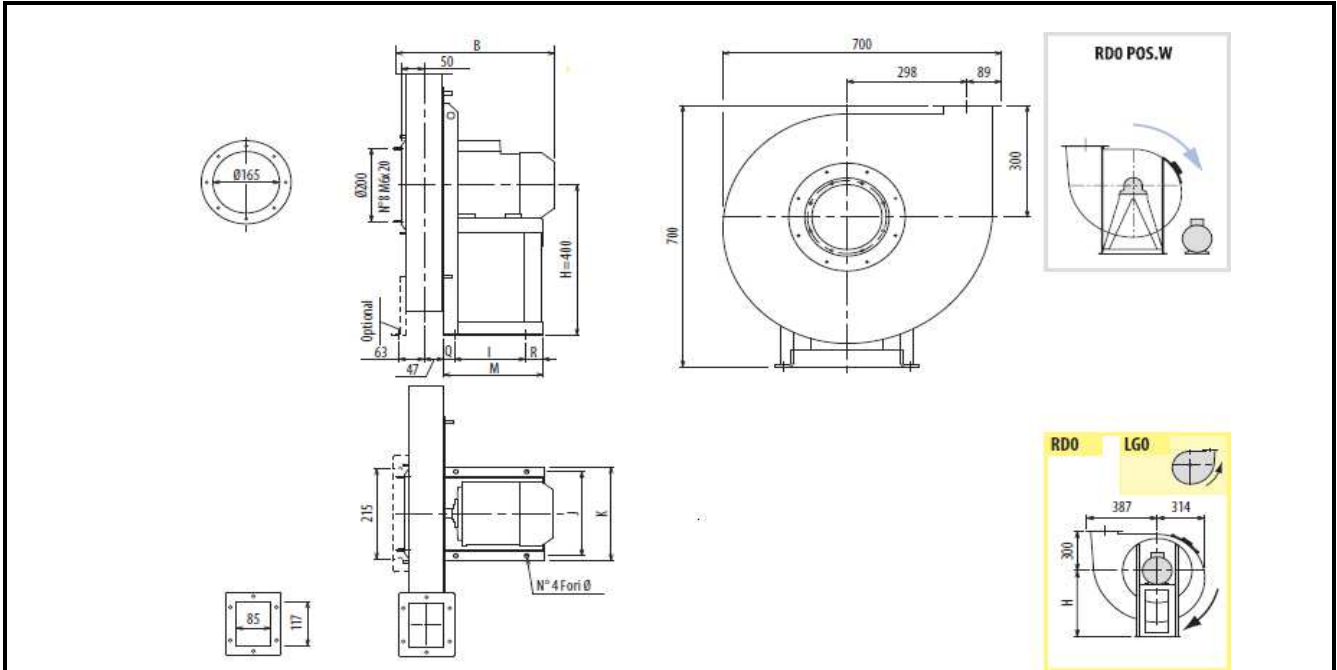
A Hrubínova 1903/9, 66451 Šlapanice, CZ

IČ 05226953 IČ DPH CZ05226953

E info@ggf.cz W www.ggf.cz

ITEM1

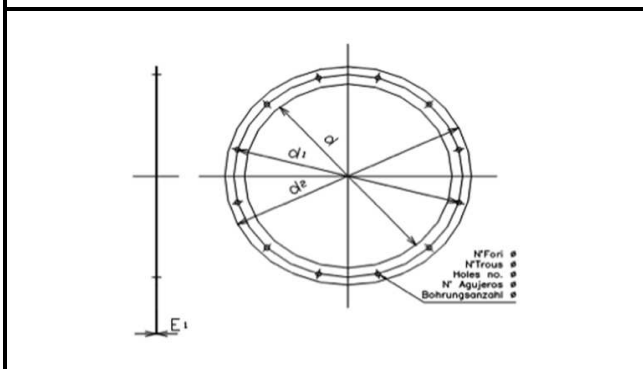
Document printed by Aeraulica - Dimensions and performances can be changed without prior notice



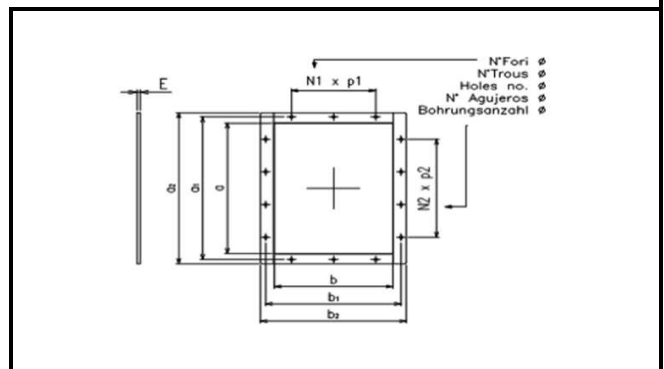
Indicative measures in the standard configuration. For detailed information contact your reference.

Indicative value of weight including standard motor.

B	I	H	H1	H2	J	K	M	Q	R	Φ	PD2	kg
400	133	400	400*	400	234	260	251	58	60	10	0,9	67



Cod	dxn°	d1	d2	Φ	E1
0165 A	165x8	200	235	8	3



Cod	axb	a1	b1	a2	b2
0117x0085	117x85	151	119	177	145

n°	Φ	E			
4	10	4			
