

TECHNICAL DATA SHEET

RADIAL FAN nr. AFGG-40_05



G&G filtration CZ, s.r.o.

A Hrubínova 1903/9, 66451 Šlapanice, CZ
 IČ 05226953 IČ DPH CZ05226953
 E info@ggf.cz W www.ggf.cz

ITEM1

Document printed by Aeraulica - Dimensions and performances can be changed without prior notice

Type and characteristics of the requested machine				performance on		Outlet		
Flow rate	2000 [m3/h]	Capacity (Normal)				1864 [Nm3/h]		
Total pressure	4000 [Pa]	Static pressure						
Working fluid temperature	20 [°C]	Fluid specific weight				1.204 [Kg/m3]		
Installation altitude	0 asl [m]	Specific weight std (20 [°C], 0 asl [m])				1.204 [Kg/m3]		
Suggested model and effective characteristics				performance on		Outlet		
Model	VM 500R/2-I	Execution	E04	Installation Type	A (free inlet and outlet)			
Fluid specific weight	1.204	1.204 [Kg/m3]		Revolution fan speed		2920 [rpm]		
Total pressure	3797	3797 [Pa]		Orientation		RD 0		
Static pressure	3599	3599 [Pa]		Sound power LwA		99.43 [dB(A)]		
Flow rate	2000	2000 [m3/h]		Sound pressure at mt.1.5 1/2 sf in open field		86.13 [dB(A)]		
Capacity (Normal)	1864	1864 [Nm3/h]		Pipings	s>3mm = +3dB; 1mm<s<3mm = +4,5dB; s<1mm = +6dB			
Power dem. at shaft	2.924	2.924 [kW]		Fan efficiency	Outlet	72.15 %		
Motor power demand	2.924	2.924 [kW]						
Characteristics of chosen motor				Motor efficiency IEC 60034-30		IE3	PD ² impeller	1.4 kgm ²
Code	112M02-50/std3	shape	B3	Efficiency	88.1 89.1 88.7		PD ² needed	1.38 kgm ²
Rated power	4.0 [kW]	n° poles	2 rpm 2945	Load	100% 75% 50%		PD ² motor	3.2 kgm ²
ErP 2009/125/CE Regulament (UE) N. 327/2011				Notes				
Efficiency grade	64	N	70.3	Total efficiency	65.73 %			
Impeller type	backward blades	Type of test	B/total	Flow rate	2481.84 [m3/h]	Pressure	3192 [Pa]	
NOTE				Performance on Outlet VM 500R/2-I - E04 - D=0.47[m] - ρ=1.204[kg/m³] - T=20[°C] - 0[m]a.s.l.				
Rpm Limit	<=60 °C: 4750 Rpm							
values of the noise of fan obtained in ambient not reverberant with inlet and outlet ducts fully insulated								

TECHNICAL DATA SHEET

RADIAL FAN nr. AFGG-40_05



G&G filtration CZ, s.r.o.

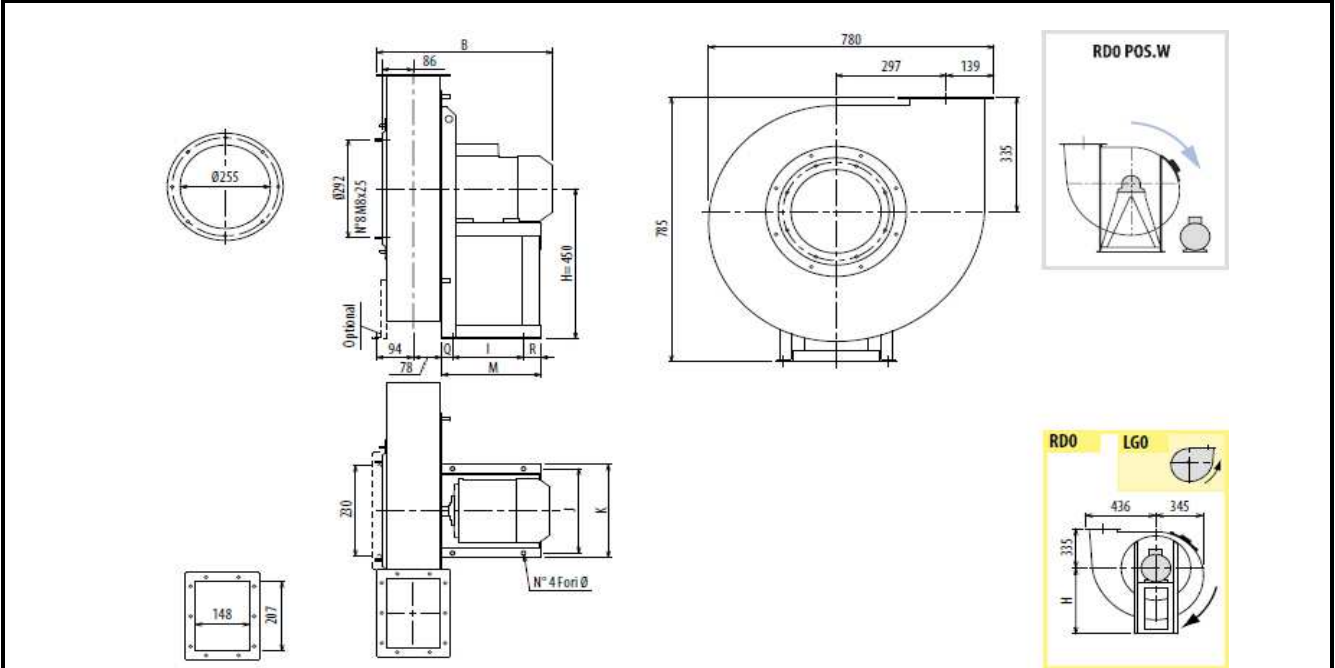
A Hrubínova 1903/9, 66451 Šlapanice, CZ

IČ 05226953 IČ DPH CZ05226953

E info@ggf.cz W www.ggf.cz

ITEM1

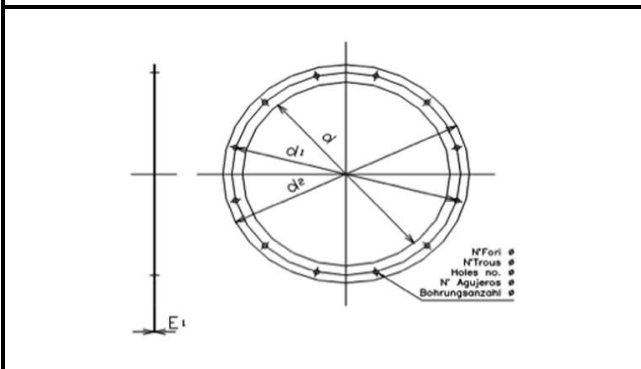
Document printed by Aeraulica - Dimensions and performances can be changed without prior notice



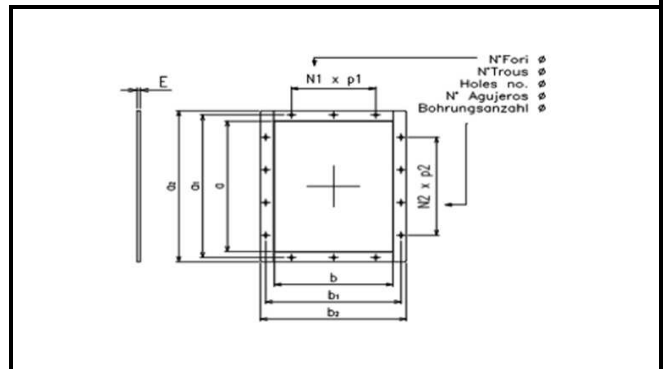
Indicative measures in the standard configuration. For detailed information contact your reference.

Indicative value of weight including standard motor.

B	I	H	H1	H2	J	K	M	Q	R	Φ	PD2	kg
520	197	450	335	450	289	324	285	34	54	12	1,4	92



Cod	dxn°	d1	d2	Φ	E1
0255 A	255x8	292	325	10	4



Cod	axb	a1	b1	a2	b2
0207x0148	207x148	241	182	277	218

N1xp	N2xp	n°	Φ	E
1x112	1x112	8	12	4