

TECHNICAL DATA SHEET

RADIAL FAN nr. AFGG-40_10



G&G filtration CZ, s.r.o.

A Hrubínova 1903/9, 66451 Šlapanice, CZ
 IČ 05226953 IČ DPH CZ05226953
 E info@ggf.cz W www.ggf.cz

ITEM1

Document printed by Aeraulica - Dimensions and performances can be changed without prior notice

Type and characteristics of the requested machine				performance on		Outlet	
Flow rate	5400 [m3/h]	Capacity (Normal)			5032 [Nm3/h]		
Total pressure	4000 [Pa]	Static pressure					
Working fluid temperature	20 [°C]	Fluid specific weight			1.204 [Kg/m3]		
Installation altitude	0 asl [m]	Specific weight std (20 [°C], 0 asl [m])			1.204 [Kg/m3]		
Suggested model and effective characteristics				performance on		Outlet	
Model	GR 500/2-I	Execution	E04	Installation Type	A (free inlet and outlet)		
Fluid specific weight	1.204	1.204 [Kg/m3]		Revolution fan speed		2930 [rpm]	
Total pressure	3819	3819 [Pa]		Orientation		RD 0	
Static pressure	3570	3570 [Pa]		Sound power LwA		105.45 [dB(A)]	
Flow rate	5400	5400 [m3/h]		Sound pressure at mt.1.5 1/2 sf in open field		92.15 [dB(A)]	
Capacity (Normal)	5032	5032 [Nm3/h]		Pipings	s>3mm = +3dB; 1mm<s<3mm = +4,5dB; s<1mm = +6dB		
Power dem. at shaft	7.283	7.283 [kW]		Fan efficiency	Outlet	78.65 %	
Motor power demand	7.283	7.283 [kW]					
Characteristics of chosen motor				Motor efficiency IEC 60034-30		PD ² impeller	
Code	160MA2-50/std3	shape	B3	Efficiency	91.2 91 89.5	PD ² needed	1.97 kgm ²
Rated power	11.0 [kW]	n° poles	2	rpm	2955	PD ² motor	14.4 kgm ²
ErP 2009/125/CE Regulament (UE) N. 327/2011				Notes			
Efficiency grade	64	N	73.4	Total efficiency	72.09 %		
Impeller type	backward blades	Type of test	B/total	Flow rate	4787.68 [m3/h]	Pressure	3834 [Pa]
NOTE				Performance on Outlet GR 500/2-I - E04 - D=0.5[m] - ρ=1.204[kg/m ³] - T=20[°C] - 0[m]a.s.l.			
Rpm Limit	<=60 °C: 3400 Rpm						
values of the noise of fan obtained in ambient not reverberant with inlet and outlet ducts fully insulated							

TECHNICAL DATA SHEET

RADIAL FAN nr. AFGG-40_10



G&G filtration CZ, s.r.o.

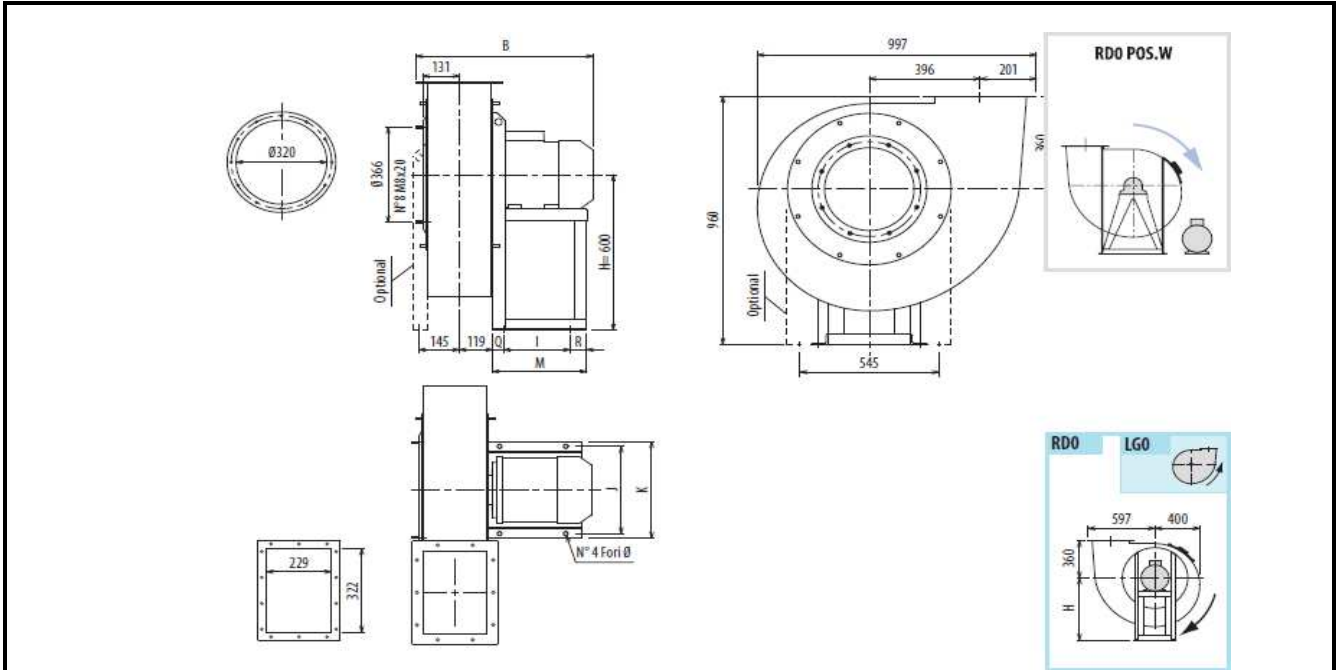
A Hrubínova 1903/9, 66451 Šlapanice, CZ

IČ 05226953 IČ DPH CZ05226953

E info@ggf.cz W www.ggf.cz

ITEM1

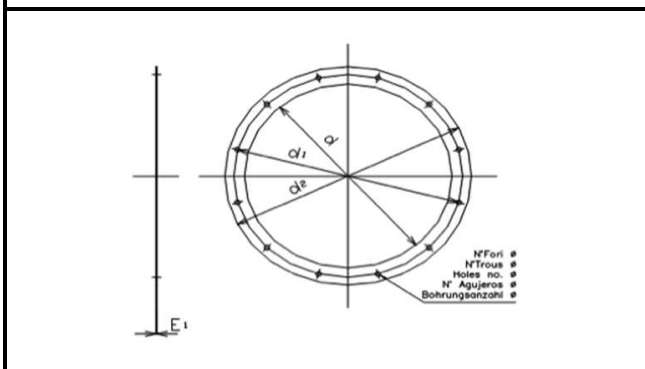
Document printed by Aeraulica - Dimensions and performances can be changed without prior notice



Indicative measures in the standard configuration. For detailed information contact your reference.

Indicative value of weight including standard motor.

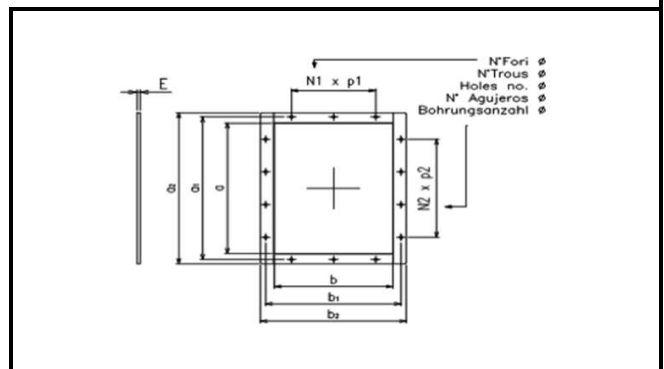
B	I	H	H1	H2	J	K	M	Q	R	Φ	PD2	kg
780	337	600	360	600	395	440	446	55	54	14	2	210



Cod	dxn°	d1	d2	Φ	E1
0320 A	320x8	366	400	12	4

--	--	--	--	--	--

--	--	--	--	--	--



Cod	axb	a_1	b_1	a_2	b_2
0322x0229	322x229	366	273	402	309

N1xp	N2xp	n°	Φ	E
1x125	2x125	10	12	4

--	--	--	--	--

--	--	--	--	--